

MATERIAL

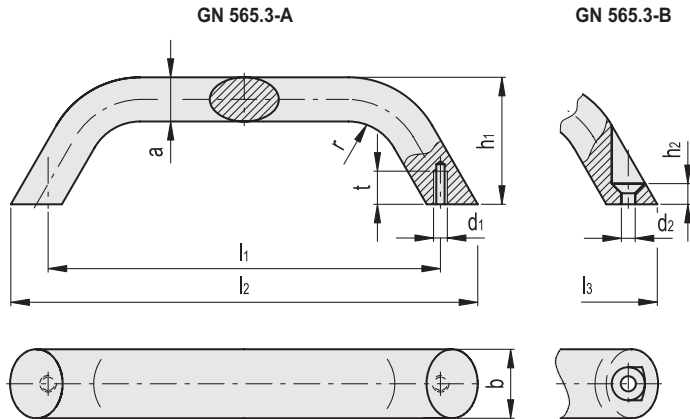
Aluminium. Oval cross section bar.

STANDARD EXECUTIONS

- **GN 565.3-A-BL**: natural aluminium. Threaded blind holes. Back mounting.
- **GN 565.3-A-SW**: epoxy resin coating, RAL 9005 black colour, matte finish. Threaded blind holes. Back mounting.
- **GN 565.3-B-BL**: natural aluminium. Pass-through holes for countersunk head screws. Front mounting.
- **GN 565.3-B-SW**: epoxy resin coating, RAL 9005 black colour, matte finish. Pass-through holes for countersunk head screws. Front mounting.

SPECIAL EXECUTIONS ON REQUEST

Different lengths and colours.



Conversion Table	
1 mm = 0.039 inch	
l1	
mm	inch
120	4.72
160	6.30

METRIC

Code	Description	b	l1	l2	l3	d1	d2	a	h1	h2	r	tmin	△
GN.27401	GN 565.3-20-120-A-BL	20	120±0.25	142	-	M5	-	13	41	-	13	10	90
GN.27405	GN 565.3-20-120-A-SW	20	120±0.25	142	-	M5	-	13	41	-	13	10	90
GN.27402	GN 565.3-20-120-B-BL	20	120±0.25	-	137	-	5.3	13	41	5	13	-	80
GN.27406	GN 565.3-20-120-B-SW	20	120±0.25	-	137	-	5.3	13	41	5	13	-	80
GN.27391	GN 565.3-20-160-A-BL	20	160±0.25	182	-	M5	-	13	45	-	13	10	120
GN.27392	GN 565.3-20-160-A-SW	20	160±0.25	182	-	M5	-	13	45	-	13	10	120
GN.27395	GN 565.3-20-160-B-BL	20	160±0.25	-	177	-	5.3	13	45	5	13	-	106
GN.27396	GN 565.3-20-160-B-SW	20	160±0.25	-	177	-	5.3	13	45	5	13	-	106